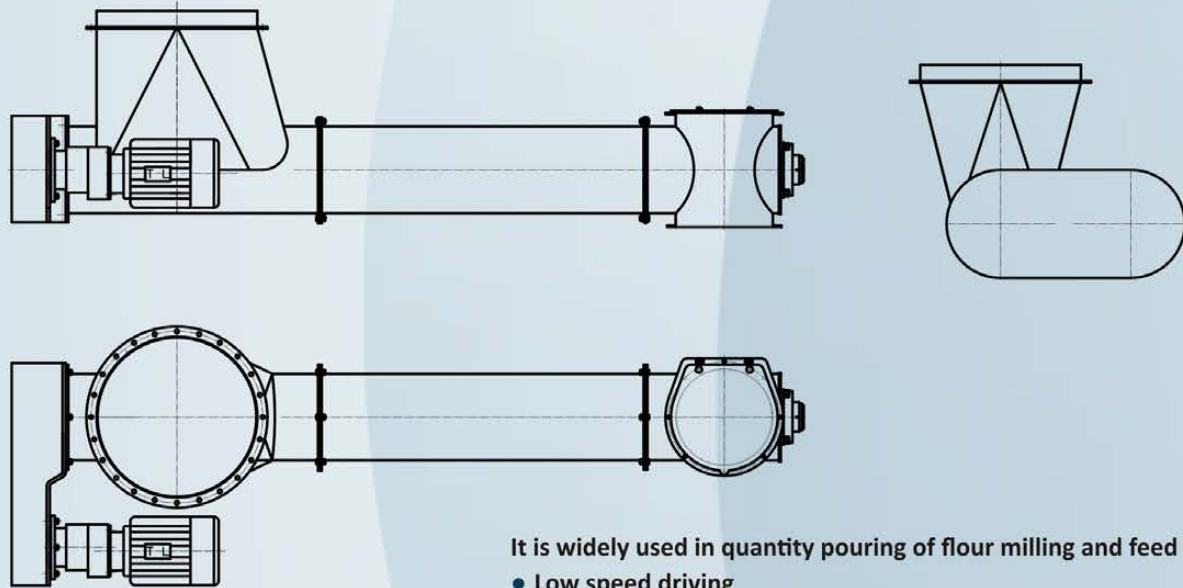


TWLL Tube Feeding Screw Conveyor

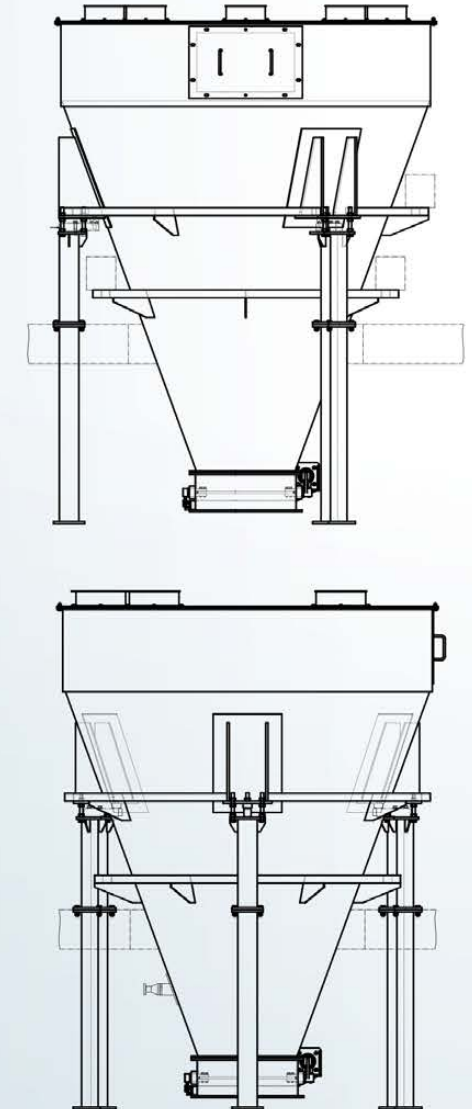


It is widely used in quantity pouring of flour milling and feed industry.

- Low speed driving
- Varying pitch screw
- Easy maintenance
- Standard size of the modular design
- No material residue

Model	TWLL12	TDXZ16	TDXZ20	TDXZ25	TDXZ32	TDXZ40
Output(t/h)	6~8	6~10	10~20	12~25	25~35	40~50
Rotator Speed(rpm)	60~130					

SPLC Batching Scale



It is mainly used for ratio and weighing of different materials in post-processing section of flour mills and feed factory.

- High weighing accuracy
- Reasonable structure
- Convenient installation
- Simple maintenance
- Good-looking appearance
- Good sealing

Items	Model	SPLC250	SPLC500	SPLC1000	SPLC2000
Measure precision	Static state(poise)	0.1%F.S			
	Dynamic state(material)	≤0.3%F.S			
Number of Silo Unloader		The number of feeding inlet on the proportioning weigher is no more than 16.			
Working pressure in Cylinder		0.4~0.6MPa			
Specification(kg)		250	500	1000	2000